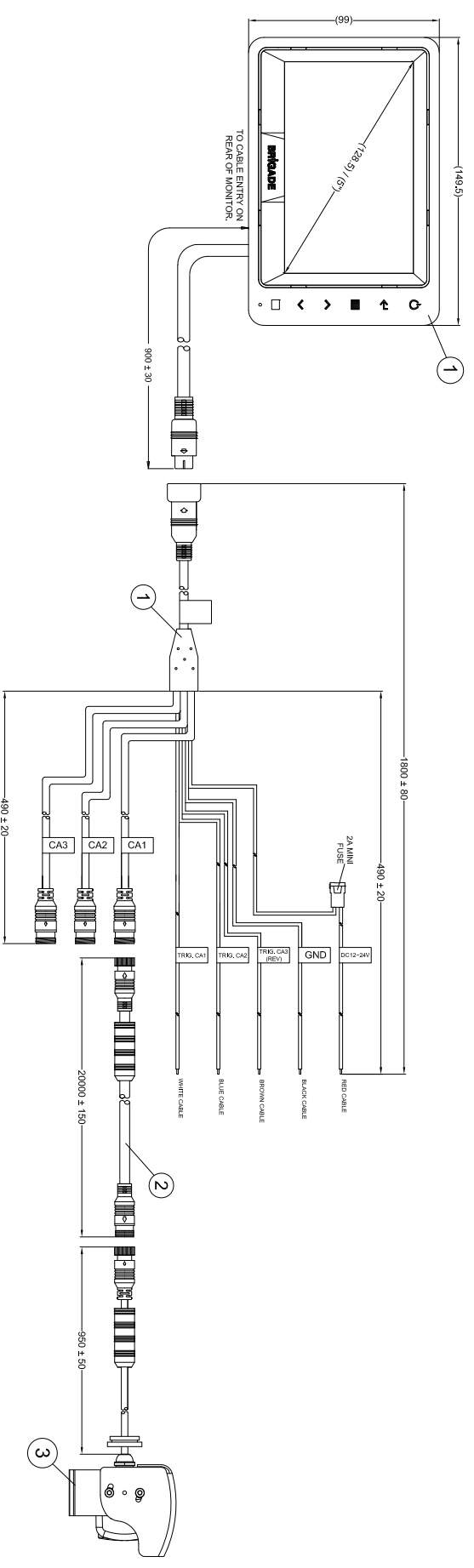


ITEM	PART NO.	VARIANT	QTY	MODEL / DESCRIPTION
①	(4710A)	WGB	1	VBV-750M-S MONITOR KIT
②	(3664)	N/A	1	VBV-L520 20M CAMERA CABLE
③	(2808A)	WGB	1	VBV-710C CAMERA KIT



- NOTES:
1. REFER TO COMPONENT DRAWINGS FOR COMPONENT DETAIL.
 2. REFER TO COMPONENT PRODUCT SPECIFICATIONS FOR PRODUCT SPECIFICATIONS.
 3. FOR SYSTEM BOX SERIAL NUMBER LABELS REFER TO LATEST REVISION OF DRAWING BE-001323-XX-10.
 4. FOR SYSTEM GIFTBOX LABEL REFER TO LATEST REVISION OF DRAWING BE-003284-XX-15.
 5. PURCHASE ORDER TO DEFINE SYSTEM PACKAGING VARIANT.
 6. REFER TO LATEST REVISION OF DRAWING BE-001954-XX-12 FOR PACKAGING DETAIL.

PROPRIETARY NOTICE
 THIS DESIGN AND TECHNICAL INFORMATION APPEARING ON THIS DRAWING IS THE PROPERTY OF BRIGADE ELECTRONICS, AND IS DISCLOSED IN CONFIDENCE. IT IS NOT TO BE COPIED, REPRODUCED, REVEALED TO OR EXPLOITED BY OTHERS, EITHER IN WHOLE OR IN PART WITHOUT THE EXPRESS WRITTEN CONSENT OF BRIGADE ELECTRONICS.



 Angle of Projection Third Angle		Assembly Pl Approval YILING ZHANG (22/12/15)		Approved by B.JOHN		Checked by D.WALLIN		Drawn by M.BUTLER	
Status RELEASED		Units mm		Scale N/A		Released 22/12/15		Assembly Ref -	
Part No 4708A		Status RELEASED		Model VBV-750-100		Part No BE-003288-00-15		Date -	